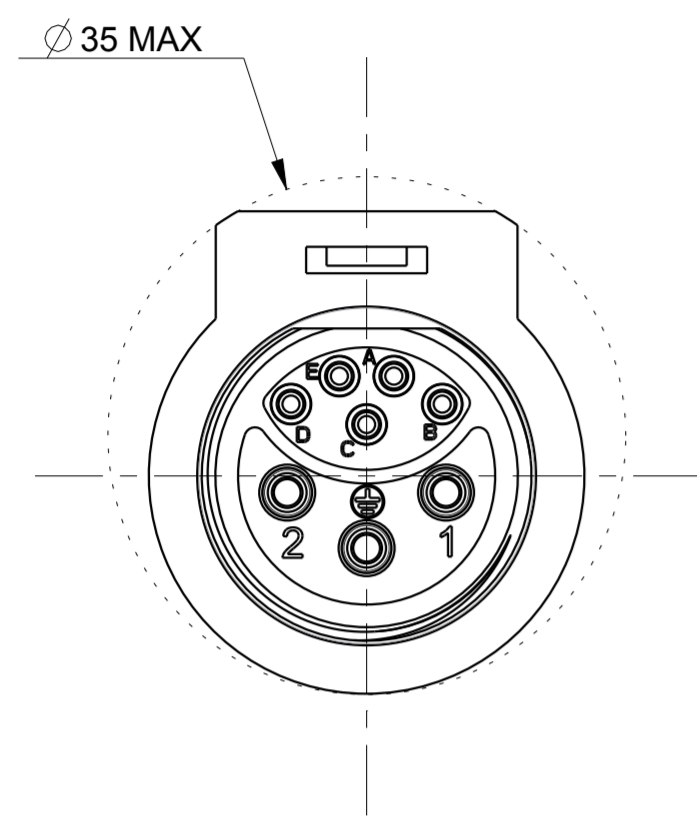
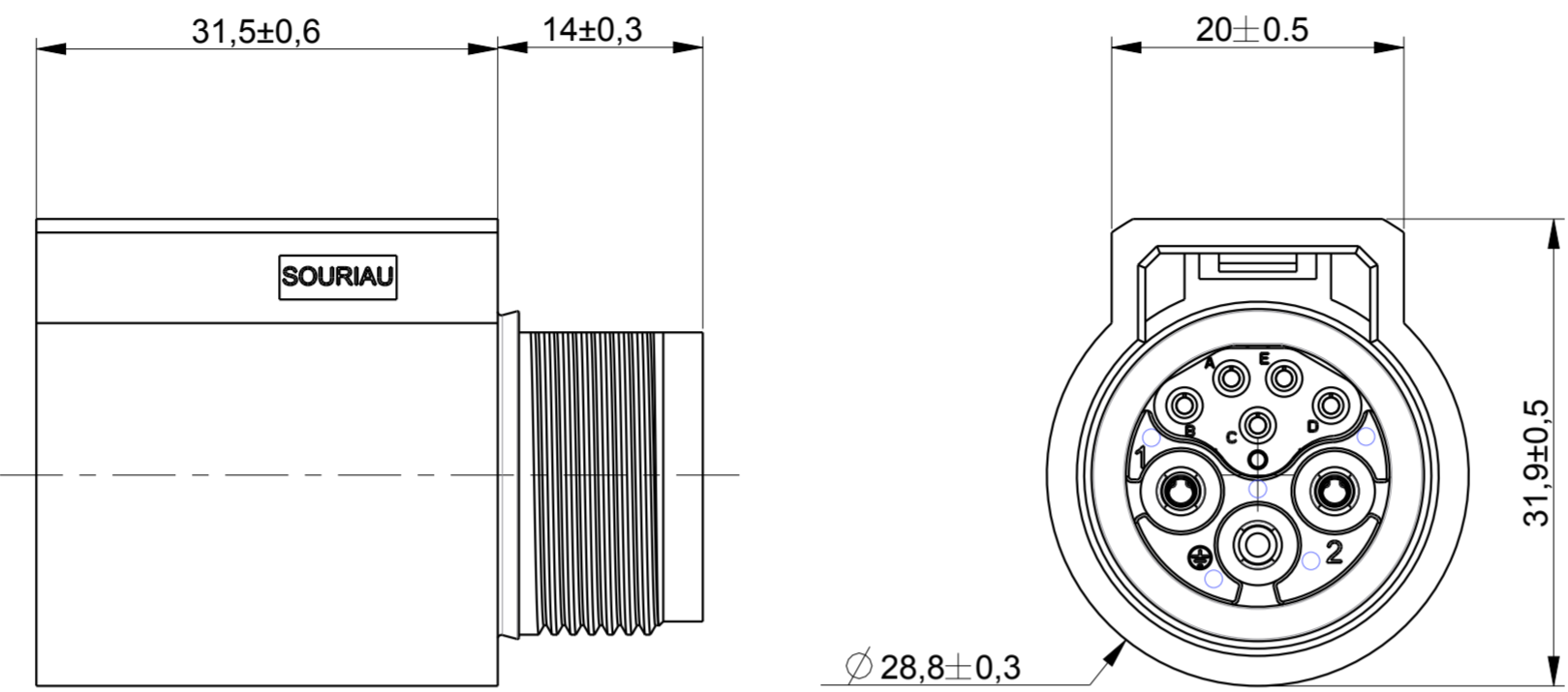


WIRING FACE



MATING FACE



MATERIALS

HOUSING: PA GF REINFORCED, BLACK COLOR

PERFORMANCES CHARACTERISTICS

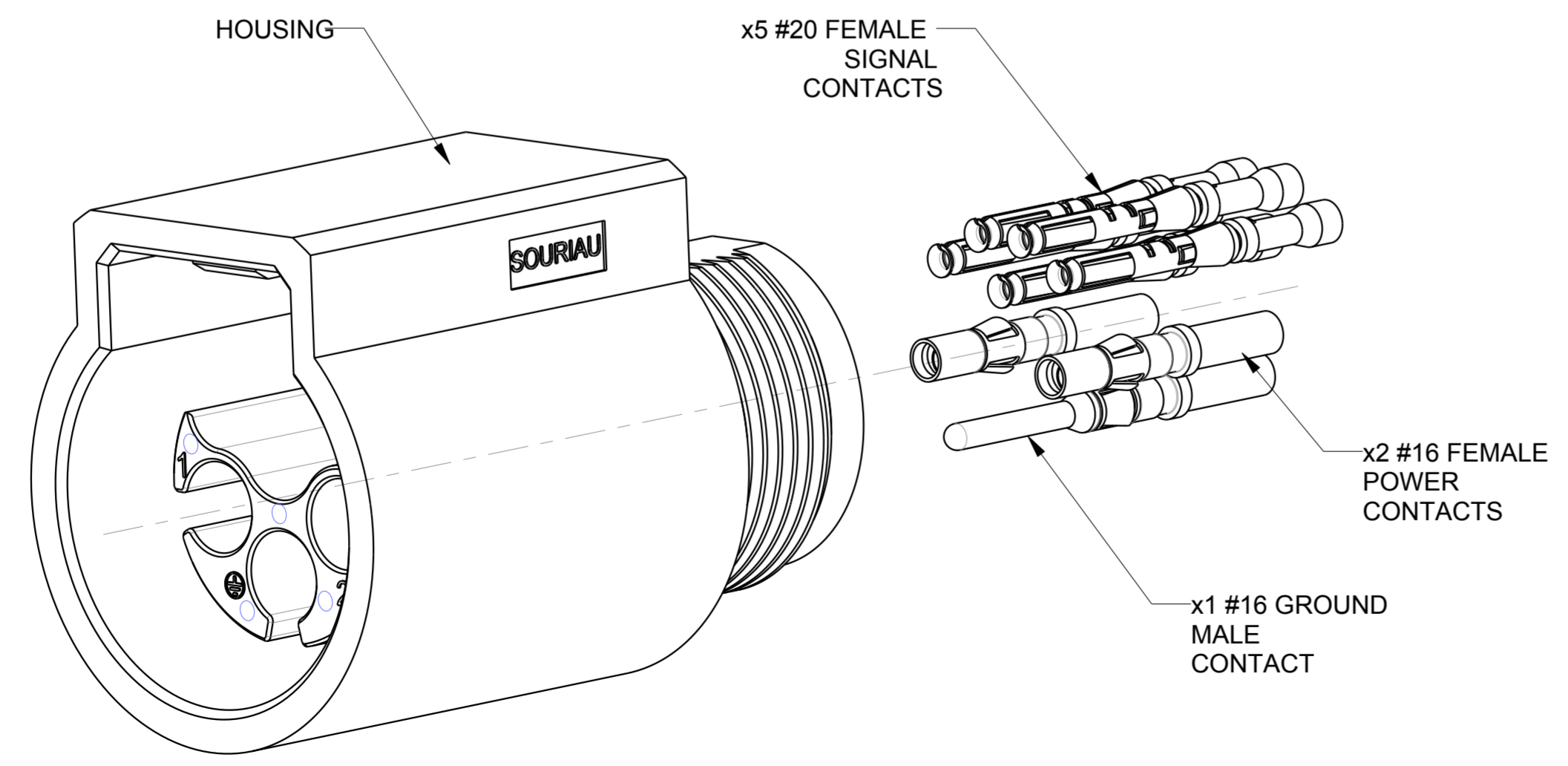
| | | |
|--|-----------------|---|
| - MECHANICAL | | |
| TEMPERATURE CLASS | IEC61984/UL1977 | -40°C TO 105°C |
| DURABILITY | IEC61984 | 500 MATE / UNMATE CYCLES |
| SEALING IN MATED CONDITIONS | IEC60529 | IP68 1BAR DURING 1WEEK |
| | DIN40050 | IP69K |
| SEALING IN UNMATED CONDITIONS | IEC60529 | IP67 WITH CAPS |
| POLLUTION DEGREE | IEC61984 | 4 |
| CORROSION SALT SPRAY | | MIN 1000H |
| FLAMMABILITY | UL94 | MATERIAL RATING: 5VA |
| OUTDOOR SUITABILITY (UV RESIST) | UL746C | MATERIAL RATING: (f1) |
| SCOOP PROOF | | |
| - ELECTRICAL | | |
| TOUCH PROOF | IEC60529 | IP2X |
| POWER AND GROUND LINES: | | |
| NOMINAL CURRENT | UL1977 | 16A WITH AWG14 WIRE / 13A WITH AWG16 WIRE |
| NOMINAL CURRENT | IEC61984 | 16A WITH 2.5MM² WIRE / 13A WITH 1.5MM² WIRE AT 60°C |
| SIGNAL CONTACT (a,b,c,d,e) LINES: | | |
| NOMINAL VOLTAGE | UL1977 | 600V |
| NOMINAL VOLTAGE | IEC61984 | 250VAC 4KV 4 FOR CLASS II |
| NOMINAL VOLTAGE | IEC61984 | 500VAC 6KV 4 FOR CLASS I |
| NOMINAL CURRENT | IEC61984 | 48V AC |
| NOMINAL CURRENT | IEC61984 | 5A |

ROHS COMPLIANT

NOTES

- COUNTERPART REFERENCE UTL PLUG
- CONNECTORS ARE DELIVERED AS PRE-ASSEMBLED KIT
- CONNECTOR BLOCKS ACCEPTS TRIM TRIO CONTACTS #16 AND #20, R*M* OR S*M* TYPES
- CONTACTS TO BE ORDERED SEPARATELY.
- WARNING: PHASE AND SIGNAL CONTACT ARE FEMALE VERSION AND GROUND CONTACT IS MALE VERSION
- UNIT IN MM

OVERVIEW WITH CONTACTS (For information only) (SEE NOTA 4)



| Country | Jurisdiction & Control List |
|---------|-----------------------------|
| FR | NOT LISTED |

P/N : UTL1122G1W5S

| | | | | |
|-------------------------|----------|---|---------------------|--|
| B | 09/11/15 | drawing format updated | | — |
| ISS | DATE | Latest modification - by: LANDAIS.PE | | MOD N° |
| Designed by: RAGAIN.E.M | | Date:02/10/14 | | CUSTOMER DRAWING |
| TITLE | | FEMALE FREE HANGING SIZE 12 LAYOUT 8 CONTACTS | | |
| | | UTL CONNECTOR | | |
| Scale | 2/1 | General linear Tolerances: ± -- | NPRDS / PROJECT UTL | |
| SOURIAU | | WWW.SOURIAU.COM | | This document is the property of SOURIAU. It must not be reproduced or communicated without permission |
| FORMAT | A2 | SOURIAU DRG N° UTL1-0069A-C01 | | SHEET 1/1 |